

# Produkt familie datablad

## LUMILUX T5 FC

Sirkellysrør 16 mm, med 2GX13 base



- Public buildings
- Offices
- Restaurants
- Industry
- Shops
- Supermarkets and department stores
- Hotels

- Extremely economical
- Good quality of light
- Excellent luminous flux
- Excellent uniform illumination with no shadows
- Good average life (with OSRAM ECG)

### Product features

- Good color rendering group: 1B ( $R_a$  : 80...89)
- Dimmable (from 100...1 % with QT<sub>i</sub> DALI/DIM ECG)
- Single-ended round fluorescent lamp
- Tube diameter: 16.0 mm



## Produkt familie datablad

---

### Product benefits

- Extremely economical
- Good quality of light
- Excellent luminous flux
- Excellent uniform illumination with no shadows
- Good average life (with OSRAM ECG)

---

### Areas of application

- Public buildings
- Offices
- Restaurants
- Industry
- Shops
- Supermarkets and department stores
- Hotels

---

### System guarantee

- Exclusively for operation on electronic control gears

## Produkt familie datablad

### Teknisk data

Produkt beskrivelse	Elektriske data	Photometrical data			Mål og vekt	Temperatures & operating conditions
	ZLDV_Nominal wattage [AGGR]	ZLDV_Color rendering index Ra [AGGR]	ZLDV_Light color [AGGR]	ZLDV_Rated color temperature [AGGR]	ZLDV_Tube diameter [AGGR]	ZLDV_Rated ambient temp.w.max.luminous flux [AGGR]
FC 22 W/827 <sup>1)</sup>	22.00 W	≥80	827	2700 K	16 mm	35.0 °C
FC 22 W/830 <sup>1)</sup>	22.00 W	≥80	830	3000 K	16 mm	35.0 °C
FC 22 W/840 <sup>1)</sup>	22.00 W	≥80	840	4000 K	16 mm	35.0 °C
FC 22 W/865 <sup>1)</sup>	22.00 W	≥80	865	6500 K	16 mm	35.0 °C
FC 40 W/827 <sup>1)</sup>	40.00 W	≥80	827	2700 K	16 mm	35.0 °C
FC 40 W/830 <sup>1)</sup>	40.00 W	≥80	830	3000 K	16 mm	35.0 °C
FC 40 W/840 <sup>1)</sup>	40.00 W	≥80	840	4000 K	16 mm	35.0 °C
FC 40 W/865 <sup>1)</sup>	40.00 W	≥80	865	6500 K	16 mm	35.0 °C
FC 55 W/827 <sup>1)</sup>	55.00 W	≥80	827	2700 K	16 mm	35.0 °C
FC 55 W/830 <sup>1)</sup>	55.00 W	≥80	830	3000 K	16 mm	35.0 °C
FC 55 W/840 <sup>1)</sup>	55.00 W	≥80	840	4000 K	16 mm	35.0 °C

Produkt beskrivelse	Levetid					
	ZLDV_Service life [AGGR]	ZLDV_Lifespan [AGGR]	ZLDV_Rated lamp survival factor at 2,000 h [AGGR]	ZLDV_Rated lamp survival factor at 4,000 h [AGGR]	ZLDV_Rated lamp survival factor at 6,000 h [AGGR]	ZLDV_Rated lamp survival factor at 8,000 h [AGGR]
FC 22 W/827 <sup>1)</sup>	8000 h <sup>2)</sup>	12000 h <sup>2)</sup>	0.99	0.99	0.98	0.92
FC 22 W/830 <sup>1)</sup>	8000 h <sup>2)</sup>	12000 h <sup>2)</sup>	0.99	0.99	0.98	0.92
FC 22 W/840 <sup>1)</sup>	8000 h <sup>2)</sup>	12000 h <sup>2)</sup>	0.99	0.99	0.98	0.92
FC 22 W/865 <sup>1)</sup>	8000 h <sup>2)</sup>	12000 h <sup>2)</sup>	0.99	0.99	0.98	0.92
FC 40 W/827 <sup>1)</sup>	8000 h <sup>2)</sup>	12000 h <sup>2)</sup>	0.99	0.99	0.98	0.92
FC 40 W/830 <sup>1)</sup>	8000 h <sup>2)</sup>	12000 h <sup>2)</sup>	0.99	0.99	0.98	0.92
FC 40 W/840 <sup>1)</sup>	8000 h <sup>2)</sup>	12000 h <sup>2)</sup>	0.99	0.99	0.98	0.92
FC 40 W/865 <sup>1)</sup>	8000 h <sup>2)</sup>	12000 h <sup>2)</sup>	0.99	0.99	0.98	0.92
FC 55 W/827 <sup>1)</sup>	8000 h <sup>2)</sup>	12000 h <sup>2)</sup>	0.99	0.99	0.98	0.92

## Produkt familie datablad

Produkt beskrivelse	Levetid					
	ZLDV_Service life [AGGR]	ZLDV_Lifespan [AGGR]	ZLDV_Rated lamp survival factor at 2,000 h [AGGR]	ZLDV_Rated lamp survival factor at 4,000 h [AGGR]	ZLDV_Rated lamp survival factor at 6,000 h [AGGR]	ZLDV_Rated lamp survival factor at 8,000 h [AGGR]
FC 55 W/830 <sup>1)</sup>	8000 h <sup>2)</sup>	12000 h <sup>2)</sup>	0.99	0.99	0.98	0.92
FC 55 W/840 <sup>1)</sup>	8000 h <sup>2)</sup>	12000 h <sup>2)</sup>	0.99	0.99	0.98	0.92

Produkt beskrivelse	ZLDV_Rated lamp survival factor at 12,000 h [AGGR]	ZLDV_Operation mode LLMF/LSF [AGGR]	ZLDV_Rated lamp life time [AGGR]	Ytterligere produktdata	Egenskaper	Sertifikater og standarder
				ZLDV_Base (standard designation) [AGGR]	ZLDV_Suitable for indoor [AGGR]	ZLDV_Energy consumption [AGGR]
FC 22 W/827 <sup>1)</sup>	0.50	HF	12000 h	2GX13	Yes	25 kWh/1000h
FC 22 W/830 <sup>1)</sup>	0.50	HF	12000 h	2GX13	Yes	25 kWh/1000h
FC 22 W/840 <sup>1)</sup>	0.50	HF	12000 h	2GX13	Yes	25 kWh/1000h
FC 22 W/865 <sup>1)</sup>	0.50	HF	12000 h	2GX13	Yes	25 kWh/1000h
FC 40 W/827 <sup>1)</sup>	0.50	HF	12000 h	2GX13	Yes	44 kWh/1000h
FC 40 W/830 <sup>1)</sup>	0.50	HF	12000 h	2GX13	Yes	44 kWh/1000h
FC 40 W/840 <sup>1)</sup>	0.50	HF	12000 h	2GX13	Yes	44 kWh/1000h
FC 40 W/865 <sup>1)</sup>	0.50	HF	12000 h	2GX13	Yes	44 kWh/1000h
FC 55 W/827 <sup>1)</sup>	0.50	HF	12000 h	2GX13	Yes	61 kWh/1000h
FC 55 W/830 <sup>1)</sup>	0.50	HF	12000 h	2GX13	Yes	61 kWh/1000h
FC 55 W/840 <sup>1)</sup>	0.50	HF	12000 h	2GX13	Yes	61 kWh/1000h

Produkt beskrivelse	ZLDV_Energy efficiency class [AGGR]
FC 22 W/827 <sup>1)</sup>	A
FC 22 W/830 <sup>1)</sup>	A
FC 22 W/840 <sup>1)</sup>	A
FC 22 W/865 <sup>1)</sup>	A
FC 40 W/827 <sup>1)</sup>	A+
FC 40 W/830 <sup>1)</sup>	A+

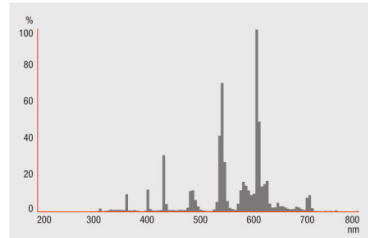
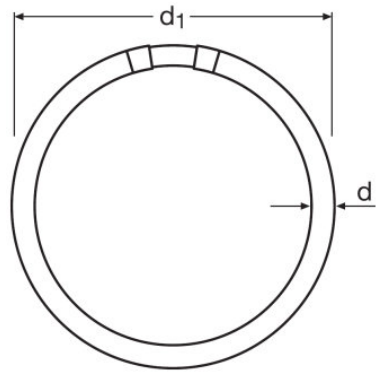
## Produkt familie datablad

Produkt beskrivelse	ZLDV_Energy efficiency class [AGGR]
FC 40 W/840 <sup>1)</sup>	A+
FC 40 W/865 <sup>1)</sup>	A+
FC 55 W/827 <sup>1)</sup>	A
FC 55 W/830 <sup>1)</sup>	A
FC 55 W/840 <sup>1)</sup>	A

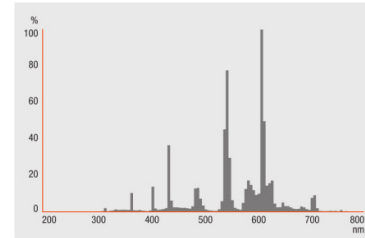
<sup>1)</sup> Kun egnet for ECG drift

<sup>2)</sup> With preheat ECG

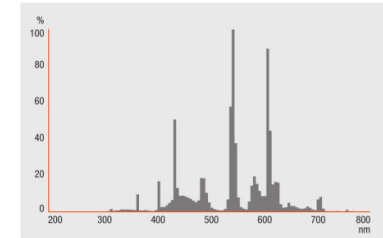
## Produkt familie datablad



FC 22 W/827, FC 40 W/827, FC 55 W/827



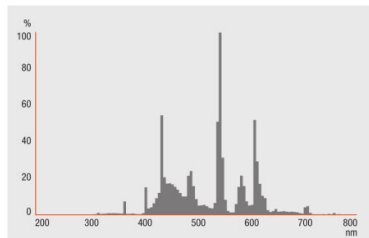
FC 22 W/830, FC 40 W/830, FC 55 W/830



FC 22 W/840, FC 40 W/840, FC 55 W/840

FC 22 W/827, FC 22 W/830, FC 22 W/840, FC 22 W/865, FC 40 W/827, FC 40 W/830, FC 40 W/840, FC 40 W/865, FC 55 W/827, FC 55 W/830, FC 55 W/840

## Produkt familie datablad



---

FC 22 W/865, FC 40 W/865

---

### Systemgaranti

OSRAM-system+garanti i kombinasjon med OSRAM ECG-er

---

### Utstyr/tilbehør

– Utelukkende for drift med elektroniske forkoblinger

---

### System hjelp

For mer detaljert program informasjon og grafikk se produktets dataark.

## Produkt familie datablad

### Logistikk data

Product kode	Produkt beskrivelse	Forpakkings enhet (stk/enhet)	Dimensjoner (lengde x bredde x høyde)	Volum	Brutto vekt
4050300646237	FC 22 W/827	NO: VS 12	375 mm x 245 mm x 253 mm	23.24 dm <sup>3</sup>	1865.00 g
4050300528489	FC 22 W/830	NO: VS 12	375 mm x 245 mm x 253 mm	23.24 dm <sup>3</sup>	1865.00 g
4050300528465	FC 22 W/840	NO: VS 12	375 mm x 245 mm x 253 mm	23.24 dm <sup>3</sup>	1865.00 g
4050300528441	FC 22 W/865	NO: VS 12	375 mm x 245 mm x 253 mm	23.24 dm <sup>3</sup>	1865.00 g
4050300646251	FC 40 W/827	NO: VS 12	368 mm x 330 mm x 319 mm	38.74 dm <sup>3</sup>	2727.00 g
4050300528540	FC 40 W/830	NO: VS 12	375 mm x 320 mm x 328 mm	39.36 dm <sup>3</sup>	2787.00 g
4050300528526	FC 40 W/840	NO: VS 12	375 mm x 320 mm x 328 mm	39.36 dm <sup>3</sup>	2787.00 g
4050300528502	FC 40 W/865	NO: VS 12	375 mm x 320 mm x 328 mm	39.36 dm <sup>3</sup>	2787.00 g
4050300646275	FC 55 W/827	NO: VS 12	375 mm x 320 mm x 328 mm	39.36 dm <sup>3</sup>	2787.00 g
4050300528601	FC 55 W/830	NO: VS 12	375 mm x 320 mm x 328 mm	39.36 dm <sup>3</sup>	2787.00 g
4050300528588	FC 55 W/840	NO: VS 12	237 mm x 320 mm x 328 mm	24.88 dm <sup>3</sup>	1713.60 g

The mentioned product code describes the smallest quantity unit which can be ordered. One shipping unit can contain one or more single products. When placing an order, for the quantity please enter single or multiples of a shipping unit.



## Produkt familie datablad

---

### Referanser / Lenker

For mer informasjon om systemgarantien samt vilkårene og betingelsene i garantien besøk

▶ [www.osram.com/system-guarantee](http://www.osram.com/system-guarantee)

For mer informasjon om QUICKTRONIC elektronisk forkobling gå til

▶ [www.osram.com/QUICKTRONIC](http://www.osram.com/QUICKTRONIC)

---

### Ansvarsfraskrivelse

Endres uten varsel. Sørg alltid for å bruke den nyeste versjonen.

OSRAM GMBH is distribution partner  
of LEDVANCE for Digital Lighting  
Systems and Components

**OSRAM**

OSRAM GmbH  
Marcel-Breuer-Strasse 6  
80807 Munich, Germany